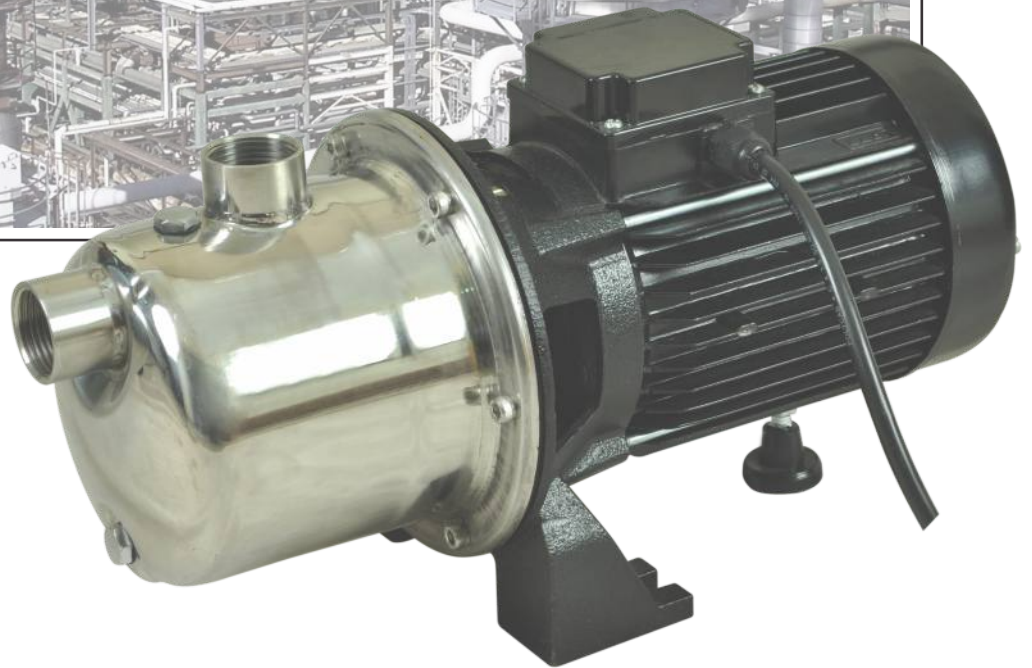
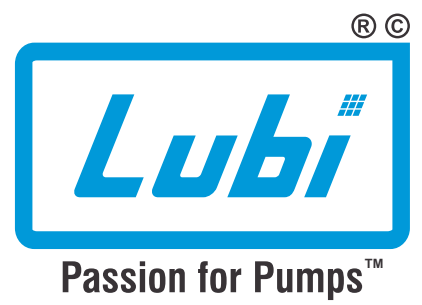


SMSJ SERIES

**Self Priming Pump
50 Hz**



PERFORMANCE RANGE

Flow rate up to 90 l/min (5.4 m³/h)
Dynamic head up to 40 m.

APPLICATIONS

For clean liquids without abrasives, which are non-aggressive for the pump materials.
For water supply.
As pressure boosting pumps for central water systems.
For civil and industrial applications.
For watering gardens.
For (RO) Reverse Osmosis Feed Water
For irrigation.

SPECIAL FEATURES ON REQUEST

Other voltages.
Available in three phase.
Special mechanical seal.
Higher liquid or ambient temperatures.
Available in 60 Hz.

MOTOR

2-pole induction motor, 50 Hz (n = 2900 RPM)
Single phase 230V +5% - 15% with thermal protection.
Insulation class F.
Protection IP 44.
Constructed in accordance with IEC 34.

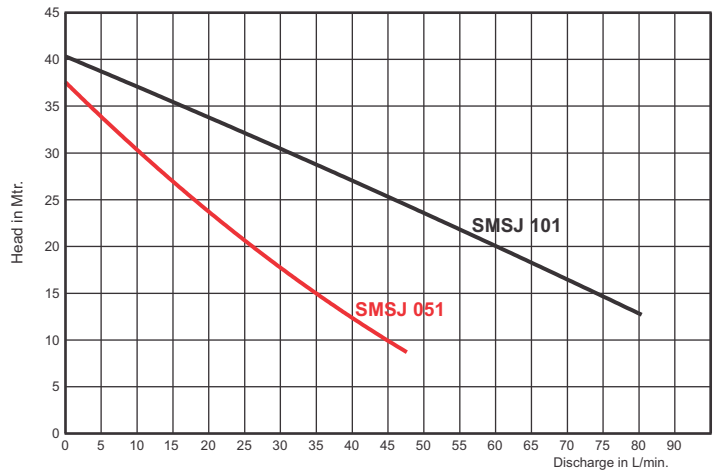
OPERATING CONDITIONS

Liquid temperature up to 90°C.
Ambient temperature up to 50°C.
Total suction lift up to 7.5 m.
Continuous duty.

MATERIAL

Component	Material
Pump casing & bracket	AISI304
Impeller	AISI304 / Noryl
Bracket and motor casing	Aluminum alloy / Cast Iron
Shaft	Steel
Mechanical Seal	NBR / Ceramic / Carbon

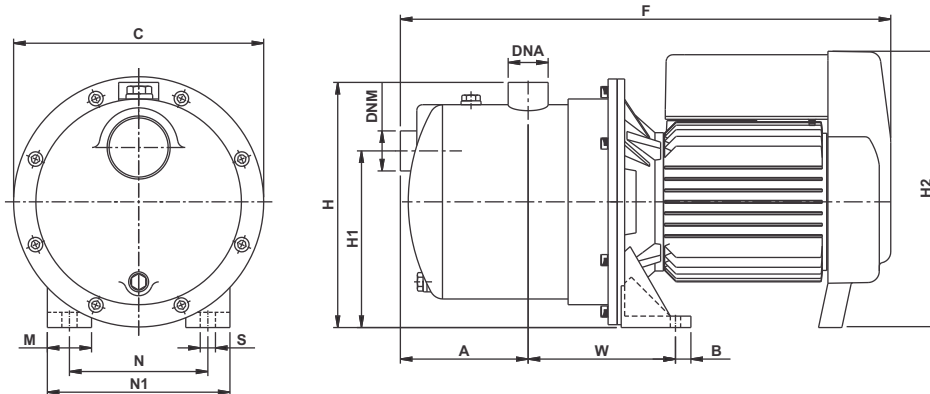
PERFORMANCE CURVE



PERFORMANCE DATA

Model	Motor Rating		Pipe Size	Discharge													
	KW	HP		Suc. x Del.	Head in Meters												
			l/min.		0	10	20	30	40	50	60	70	80	90			
SMSJ 051	0.37	0.5	25 x 25	H	35	25	23	18	15	12							
SMSJ 101	0.75	1.0	32 x 25	m	40	36	33	29	28	25	22.5	21	19	17			

DIMENSIONS



All Dimensions in mm

Model	A	B	C	F	H	H1	H2	M	N	N1	S	W	DNA	DNM	NET WEIGHT	GROSS WEIGHT	VOLUME
SMSJ 051	90	10	170	390	174	128	239	30	100	130	7	107	1"	1"	9	10.5	0.031
SMSJ 101	100.5	13	213	435	212	158	239	39	120	158	9	142	1-1/4"	1"	11	12.5	0.031

LUBI INDUSTRIES LLP

Near Kalyan Mills, Naroda Road, Ahmedabad-380 025, INDIA.

Phone : +91 - 79 - 61700100, Fax No. :+91 - 79 - 61700399.

Sales Enquiries: indsales@lubipumps.com, expsales@lubipumps.com

www.lubipumps.com

Product Improvement is a continuous process at 'LUBI'. The data given in this publication is therefore subject to revision.

00.01.020221.0115



ISO 9001



ISO 14001

Customer Care Number : 09824200800