

HYDRO SERIES

Pressure Booster Pumps 50 Hz



Maintain constant pressure with LUBI HYDRO SERIES pressure pump



Pumping Solution

INTRODUCTION

The Lubi **Hydro** series are state-of-the-art designed compact, automatic pressure booster pumps.

Lubi offers below series as pressure booster pump:

1.) "LHP" SERIES PRESSURE BOOSTER PUMP

It consist of our PCJ standard pump series. PCJ pumps are horizontal, single-stage, centrifugal, shallow-well self priming jet pumps. Pumps have suction port above pump axis and radial discharge port. The pump is fitted with a maintenance-free, mechanical shaft seal.

2.) "LMF" SERIES PRESSURE BOOSTER PUMP

It consist of our MFHC standard pump series. MFHC pumps are non-self priming, horizontal, multi-stage, centrifugal pumps. Pumps have suction port above pump axis and radial discharge port. The pump is fitted with a maintenance-free, mechanical shaft seal.

3.) "MH" SERIES PRESSURE BOOSTER PUMP

It consist of our MH standard pump series. MH pumps are non-self priming, horizontal, multi-stage, centrifugal pumps. Pumps have axial suction port and radial discharge port. The pump is fitted with a maintenance-free, mechanical shaft seal.

These systems are supplied as complete, preassembled and factory tested systems including a close-coupled pump, bladder type pressure tank, pressure switch, pressure gauge (or electronic switch), special connector and flexible pipe for systems with pump over the tank.

These systems can provide sufficient water pressure for modern domestic appliances to ensure sufficient water supply. Thus these systems are widely used in domestic water applications to stabilize the pressure in the system and avoid the pump cycling on and off every time a tap is opened somewhere in the house.

These systems can work according to the any decrease or increase of pressure, the pressure switch determines when the pump will start or stop.

FEATURES AND BENEFITS

- NSF Standard 61, CE/PED, WRAS, ACS, ISO:9001, Gost, Evrazes approved
- pressure tank
- Easy installation
- Reliable and user friendly operation
- Adjustable pressure
- Reliable constant pressure water supply
- Two part polyurethane, epoxy primed paint finish tank
- Leak free, o-ring sealed air valve cap provided on tank
- Corrosion resistant
- Good air handling
- Reliable and robust construction
- Low noise level

OPERATING CONDITIONS

Flow range	: Up to 10 m ³ /h
Max. working pressure	: 10 bar
Ambient temperature	: Max. +50°C
Liquid temperature range:	: 0°C to +90°C

MOTOR

Motor type	: TEFC 2-pole motor
Ratings	: 1 phase - 0.37 to 1.50 kW
Rated speed	: 2900 rpm
Enclosure class	: IP 44
Insulation class	: F
Nominal voltage	: 1 phase 230 V
(Tolerance +5% / -15%)	
Supply frequency	: 50 Hz
Duty / Rating	: S1 / Continuous
Direction of rotation	: Clockwise as seen from the motor rear end

APPLICATIONS

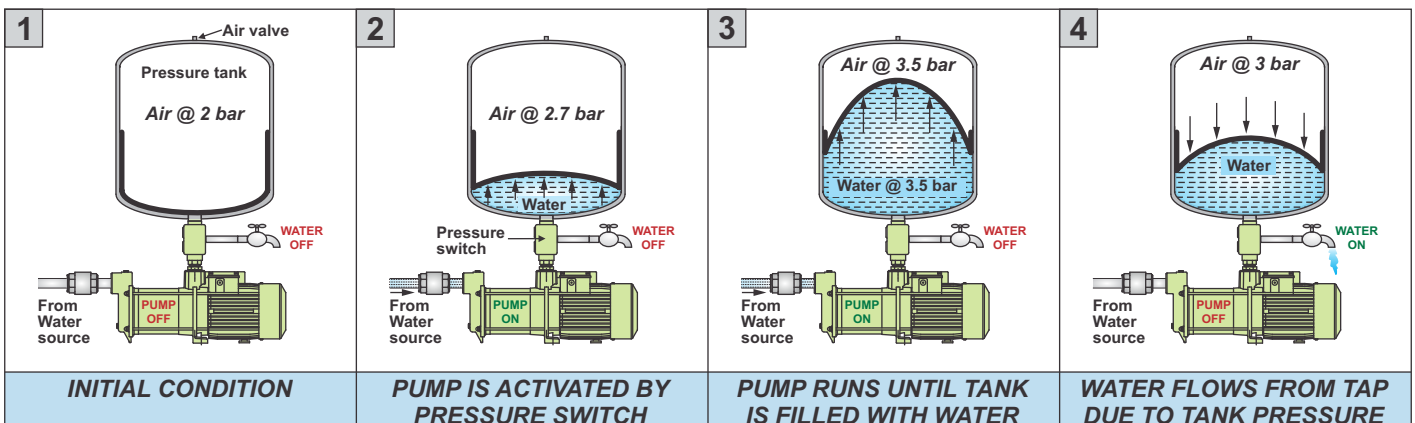
These pumps are suitable for liquids which are potable & rain water other than thin, clean, non-aggressive, non-explosive, not containing solid particles or fibres.

Pumps are designed for liquid transfer & pressure boosting systems in:

- Households, commercial complexes
- Gardens,
- Agriculture
- Horticulture
- Small industries
- Car washing
- Cooling systems
- Drawing water out a well.

FUNCTION

The booster set cuts in and out by means of the pressure switch. When water is tapped from the system, it will at first be tapped from the pressure tank, see below fig. Then the pressure falls to the preset cut-in pressure and the pump will cut in. When the water consumption drops, the discharge pressure increases and the pump cuts out when the pressure reaches the preset cut-out pressure of the pressure switch.



Note: This is a typical pressure booster pump system layout. Pressures shown in above figures are approximate.

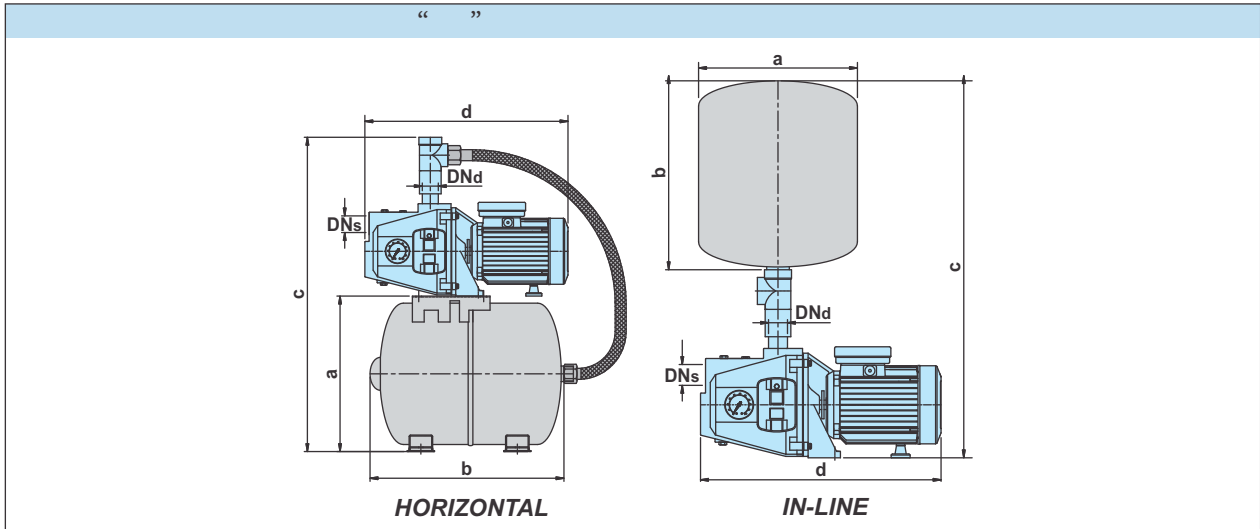
SELECTION CHART

SYSTEM TYPE	MOTOR POWER		PUMP TYPE	SUCTION SIZE [inch]	DISCHARGE SIZE [inch]	TANK MODEL	TYPE OF TANK	TANK CAPACITY [litres]	DRAW DOWN CAPACITY [litres]	PRESSURE SETTING RANGE		Q MAX. [lit/hr]	APPROX. SUITABLE FOR
	kW	HP								[bar]	[kgf/cm ²]		
LHP 1B	0.37	0.50	PCJ-051CC	1	1	LHI-8	in-line	8	3	1.4 - 3.4	1.4 - 3.4	3250	1 bathrooms
LHP 1A	0.37	0.50	PCJ-051CC	1	1	LHI-24	in-line	24	9	1.4 - 3.4	1.4 - 3.4	3250	2 bathrooms
LHP 2A	0.37	0.50	PCJ-051CC	1	1	LHI-35	in-line	35	13	1.4 - 3.4	1.4 - 3.4	3250	4 bathrooms
LHP 3A	0.75	1.00	PCJ-101CC	1	1	LHI-24	in-line	24	9	2.1 - 3.9	2.1 - 3.9	4000	3 bathrooms
LHP 3B	0.75	1.00	PCJ-101CC	1	1	LHI-35	in-line	35	13	2.1 - 3.9	2.1 - 3.9	4000	5 bathrooms
LHP 4A	0.75	1.00	PCJ-101CC	1	1	LHH-60	Horizontal	60	20	2.1 - 3.9	2.1 - 3.9	4000	6 bathrooms
LHP 6A	0.75	1.00	PCJ-101CC	1	1	LHH-80	Horizontal	80	29	2.1 - 3.9	2.1 - 3.9	4000	8 bathrooms

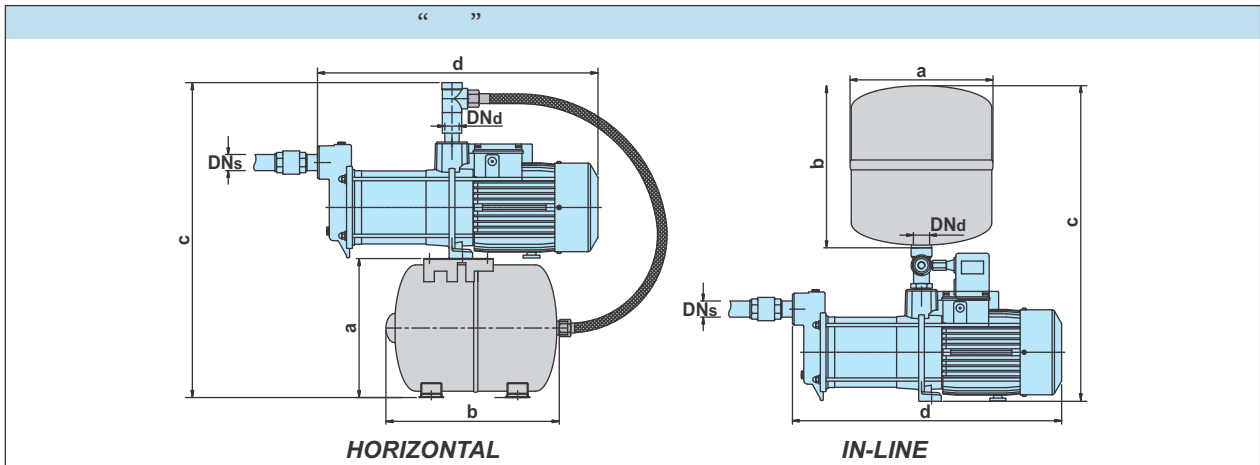
SYSTEM TYPE	MOTOR POWER		PUMP TYPE	SUCTION SIZE [inch]	DISCHARGE SIZE [inch]	TANK MODEL	TYPE OF TANK	TANK CAPACITY [litres]	DRAW DOWN CAPACITY [litres]	PRESSURE SETTING RANGE		Q MAX. [lit/hr]	APPROX. SUITABLE FOR
	kW	HP								[bar]	[kgf/cm ²]		
LMF 1A	0.75	1.00	MFHC-101DD	1¼	1¼	LHI-24	in-line	24	9	2.1 - 3.9	2.1 - 3.9	7500	3 bathrooms
LMF 2A	0.75	1.00	MFHC-101DD	1¼	1¼	LHI-35	in-line	35	13	2.1 - 3.9	2.1 - 3.9	7500	5 bathrooms
LMF 3A	0.75	1.00	MFHC-101DD	1¼	1¼	LHH-60	Horizontal	60	20	2.1 - 3.9	2.1 - 3.9	7500	6 bathrooms
LMF 4A	1.10	1.50	MFHC-151DD	1¼	1¼	LHI-35	in-line	35	13	2.4 - 4.8	2.4 - 4.8	8700	6 bathrooms
LMF 5A	1.10	1.50	MFHC-151DD	1¼	1¼	LHH-60	Horizontal	60	20	2.4 - 4.8	2.4 - 4.8	8700	7 bathrooms
LMF 6A	1.10	1.50	MFHC-151DD	1¼	1¼	LHH-80	Horizontal	80	29	2.4 - 4.8	2.4 - 4.8	8700	8 bathrooms
LMF 7A	1.50	2.00	MFHC-201DD	1¼	1¼	LHH-60	Horizontal	60	20	2.8 - 5.6	2.8 - 5.6	9900	8 bathrooms
LMF 8A	1.50	2.00	MFHC-201DD	1¼	1¼	LHH-80	Horizontal	80	29	2.8 - 5.6	2.8 - 5.6	9900	10 bathrooms

SYSTEM TYPE	MOTOR POWER		PUMP TYPE	SUCTION SIZE [inch]	DISCHARGE SIZE [inch]	TANK MODEL	TYPE OF TANK	TANK CAPACITY [litres]	DRAW DOWN CAPACITY [litres]	PRESSURE SETTING RANGE		Q MAX. [lit/hr]	APPROX. SUITABLE FOR
	kW	HP								[bar]	[kgf/cm ²]		
MH2 1B	0.55	0.75	MH2-40	1	1	LHI-8	in-line	8	3	1.8 - 3.0	1.8 - 3.0	3300	1 bathrooms
MH2 1A	0.55	0.75	MH2-40	1	1	LHI-24	in-line	24	9	1.8 - 3.0	1.8 - 3.0	3300	1-2 bathrooms
MH2 2A	0.75	1.00	MH2-50	1	1	LHI-24	in-line	24	9	2.1 - 3.7	2.1 - 3.7	3300	2 bathrooms
MH2 3A	0.75	1.00	MH2-50	1	1	LHI-35	in-line	35	13	2.1 - 3.7	2.1 - 3.7	3300	2-3 bathrooms
MH2 4A	0.75	1.00	MH2-50	1	1	LHH-60	Horizontal	60	20	2.1 - 3.7	2.1 - 3.7	3300	3 bathrooms
MH2 7A	0.75	1.00	MH2-60	1	1	LHI-35	in-line	35	13	2.5 - 4.5	2.5 - 4.5	3300	3-4 bathrooms
MH2 8A	0.75	1.00	MH2-60	1	1	LHH-60	Horizontal	60	20	2.5 - 4.5	2.5 - 4.5	3300	3-4 bathrooms
MH4 1B	0.55	0.75	MH4-30	1¼	1	LHI-8	in-line	8	3	1.2 - 2.2	1.2 - 2.2	7500	1-2 bathrooms
MH4 1A	0.55	0.75	MH4-30	1¼	1	LHI-24	in-line	24	9	1.2 - 2.2	1.2 - 2.2	7500	2 bathrooms
MH4 2A	0.75	1.00	MH4-40	1¼	1	LHI-24	in-line	24	9	1.4 - 2.8	1.4 - 2.8	7500	3 bathrooms
MH4 3A	0.75	1.00	MH4-40	1¼	1	LHI-35	in-line	35	13	1.4 - 2.8	1.4 - 2.8	7500	4 bathrooms
MH4 4A	0.75	1.00	MH4-40	1¼	1	LHH-60	Horizontal	60	20	1.4 - 2.8	1.4 - 2.8	7500	5 bathrooms
MH4 5A	0.93	1.25	MH4-50	1¼	1	LHH-60	Horizontal	60	20	1.6 - 3.5	1.6 - 3.5	7500	7 bathrooms
MH4 6A	0.93	1.25	MH4-50	1¼	1	LHH-80	Horizontal	80	29	1.6 - 3.5	1.6 - 3.5	7500	8 bathrooms
MH4 7A	1.10	1.50	MH4-60	1¼	1	LHH-60	Horizontal	60	20	2.0 - 4.0	2.0 - 4.0	7500	8 bathrooms
MH4 8A	1.10	1.50	MH4-60	1¼	1	LHH-80	Horizontal	80	29	2.0 - 4.0	2.0 - 4.0	7500	10 bathrooms

DIMENSIONS & WEIGHT



SYSTEM TYPE	MOTOR POWER		TYPE OF TANK	DNs [BSP]	DNd [BSP]	DIMENSIONS [mm]				GROSS WEIGHT [kg]		GROSS VOLUME [m ³]	
	kW	HP				a	b	c	d	PUMP	TANK	PUMP	TANK
LHP 1B	0.37	0.50	in-line	1"	1"	202	313	603	410	21.1		0.1002	
LHP 1A	0.37	0.50	in-line	1"	1"	290	447	737	410	23.0		0.1002	
LHP 2A	0.37	0.50	in-line	1"	1"	318	481	771	410	14.0	7.0	0.0530	0.0620
LHP 3A	0.75	1.00	in-line	1"	1"	290	447	762	435	29.8		0.1118	
LHP 3B	0.75	1.00	in-line	1"	1"	318	481	796	435	21.0	7.0	0.0530	0.0620
LHP 4A	0.75	1.00	Horizontal	1"	1"	424	530	845	435	21.0	11.4	0.0530	0.0900
LHP 6A	0.75	1.00	Horizontal	1"	1"	424	726	1041	435	21.0	16.1	0.0530	0.1300



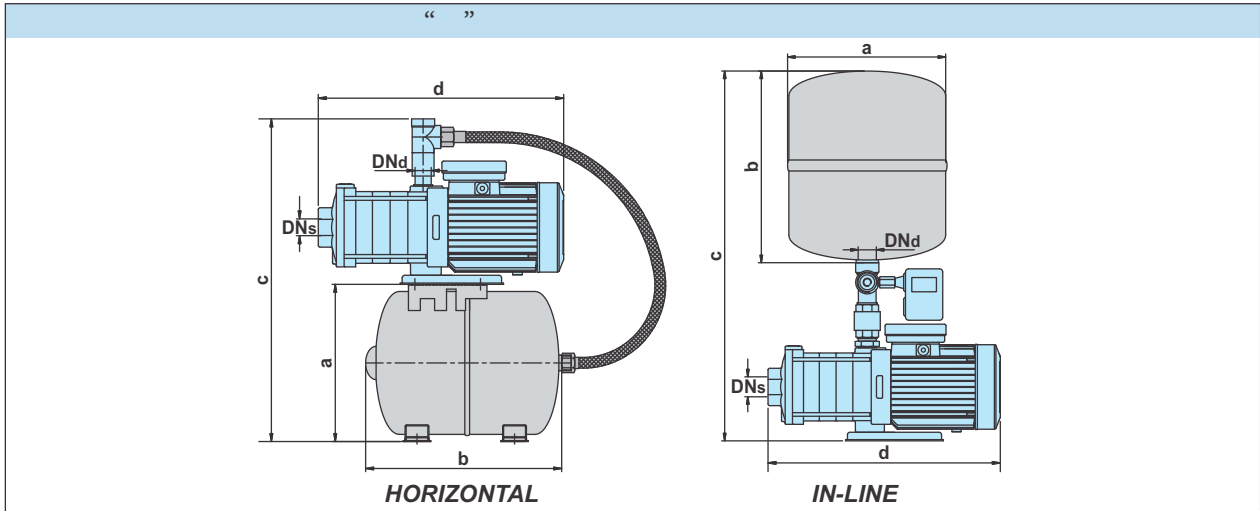
SYSTEM TYPE	MOTOR POWER		TYPE OF TANK	DNs [BSP]	DNd [BSP]	DIMENSIONS [mm]				GROSS WEIGHT [kg]		GROSS VOLUME [m ³]	
	kW	HP				a	b	c	d	PUMP	TANK	PUMP	TANK
LMF 1A	0.75	1.00	in-line	1¼"	1¼"	290	447	637	414	19.8	5.0	0.0467	0.0486
LMF 2A	0.75	1.00	in-line	1¼"	1¼"	318	481	702	414	18.8	7.0	0.0467	0.0620
LMF 3A	0.75	1.00	Horizontal	1¼"	1¼"	424	530	824	414	18.8	11.4	0.0467	0.0900
LMF 4A	1.10	1.50	in-line	1¼"	1¼"	318	481	775	478	24.4	7.0	0.0614	0.0620
LMF 5A	1.10	1.50	Horizontal	1¼"	1¼"	424	530	824	478	24.4	11.4	0.0614	0.0900
LMF 6A	1.10	1.50	Horizontal	1¼"	1¼"	424	726	1020	478	24.4	16.1	0.0614	0.1300
LMF 7A	1.50	2.00	Horizontal	1¼"	1¼"	424	530	824	503	26.4	11.4	0.0614	0.0900
LMF 8A	1.50	2.00	Horizontal	1¼"	1¼"	424	726	1020	503	26.4	16.1	0.0614	0.1300

Note: All dimensions in mm unless otherwise noted.

HYDRO PRESSURE BOOSTER PUMPS



DIMENSIONS & WEIGHT



SYSTEM TYPE	MOTOR POWER		TYPE OF TANK	DN _s [BSP]	DN _d [BSP]	DIMENSIONS [mm]				GROSS WEIGHT [kg]		GROSS VOLUME [m ³]	
	kW	HP				a	b	c	d	PUMP	TANK	PUMP	TANK
MH2 1B	0.55	0.75	in-line	1"	1"	202	313	572	321	18.1		0.0879	
MH2 1A	0.55	0.75	in-line	1"	1"	290	447	706	321	20.5		0.0879	
MH2 2A	0.75	1.00	in-line	1"	1"	290	447	706	376	20.7		0.0879	
MH2 3A	0.75	1.00	in-line	1"	1"	318	481	740	376	15.7	7.0	0.0430	0.0620
MH2 4A	0.75	1.00	Horizontal	1"	1"	424	530	789	376	15.7	11.4	0.0430	0.0900
MH2 7A	0.75	1.00	in-line	1"	1"	318	481	740	395	16.5	7.0	0.0430	0.0620
MH2 8A	0.75	1.00	Horizontal	1"	1"	424	530	789	395	16.5	11.4	0.0430	0.0900
MH4 1B	0.55	0.75	in-line	1¼"	1"	202	313	572	360	18.5		0.0879	
MH4 1A	0.55	0.75	in-line	1¼"	1"	290	447	706	360	21.0		0.0879	
MH4 2A	0.75	1.00	in-line	1¼"	1"	290	447	706	385	22.3		0.0879	
MH4 3A	0.75	1.00	in-line	1¼"	1"	318	481	740	385	15.5	7.0	0.0430	0.0620
MH4 4A	0.75	1.00	Horizontal	1¼"	1"	424	530	789	385	15.2	11.4	0.0430	0.0900
MH4 5A	0.93	1.25	Horizontal	1¼"	1"	424	530	789	449	21.4	11.4	0.0550	0.0900
MH4 6A	0.93	1.25	Horizontal	1¼"	1"	424	726	985	449	21.4	16.1	0.0550	0.1300
MH4 7A	1.10	1.50	Horizontal	1¼"	1"	424	530	789	476	23.4	11.4	0.0550	0.0900
MH4 8A	1.10	1.50	Horizontal	1¼"	1"	424	726	985	476	23.4	16.1	0.0550	0.1300

Note: All dimensions in mm unless otherwise noted.

LUBI INDUSTRIES LLP

Near Kalyan Mills, Naroda Road, Ahmedabad-380 025, INDIA.

Phone : +91 - 79 - 61700100, Fax No. :+91 - 79 - 61700399.

Sales Enquiries: mktsales@lubipumps.com, expsales@lubipumps.com

www.lubipumps.com

Product Improvement is a continuous process at 'LUBI'. The data given in this publication is therefore subject to revision.

01.00.071016.0050



ISO 9001



ISO 14001

Customer Care Number : 09824200800